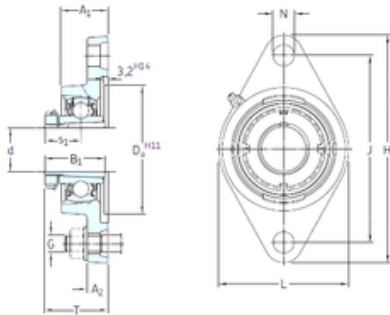


## SKF FYTJ 45 KF+HA 2309 bearing units

Bearing No. FYTJ 45 KF+HA 2309



FYTJ 45 KF+HA 2309 Bearing 2D drawings and 3D CAD models

Bore Diameter	36,513 mm
d	36,513 mm
Da	98,4 mm
s1	28,5 mm
A1	38 mm
B1	50 mm
G	16 mm
H	188 mm
J	148 mm
L	108 mm
N	19 mm
T	50,5 mm
A2	18 mm
Weight	2,2 Kg
Basic dynamic load rating (C)	33,2 kN
Basic static load rating (C0)	21,6 kN
Fatigue load limit (Pu)	0,915