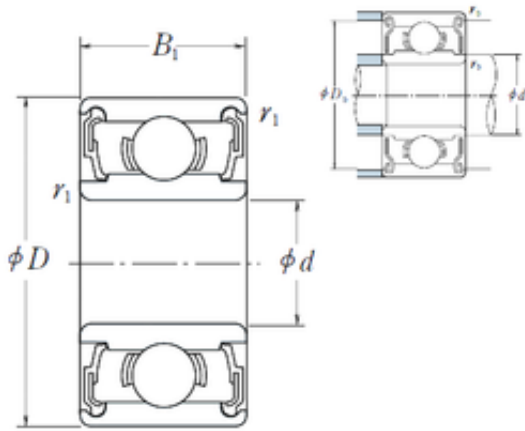


ISO MR115-2RS deep groove ball bearings

Bearing No. MR115-2RS



Size	5x11x4 mm
Bore Diameter	5 mm
Outer Diameter	11 mm
Width	4 mm
d	5 mm
D	11 mm
B	4 mm
C	4 mm
r min.	0,15 mm

MR115-2RS Bearing 2D drawings and 3D CAD models