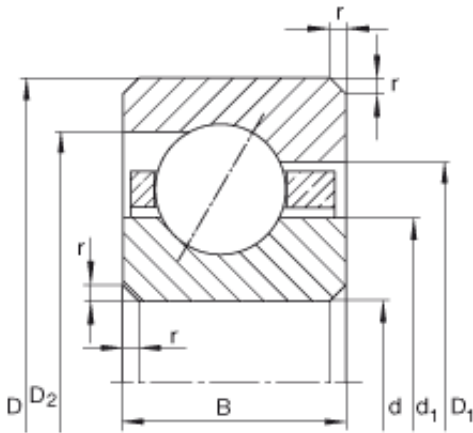


INA CSEC055 deep groove ball bearings

Bearing No. CSEC055



CSEC055 Bearing 2D drawings and 3D CAD models

Size	139.7x158.75x9.525 mm
Bore Diameter	139,7 mm
Outer Diameter	158,75 mm
Width	9,525 mm
d	139,7 mm
d	5 1/2 inch
D	158,75 mm
B	9,525 mm
D ₁	151,2 mm
D ₂	153,7 mm
d ₁	146,7 mm
r _{min}	1 mm
m	0,27 kg / Weight
C _r	9000 N / Dynamic load rating (radial)
C _{0r}	13700 N / Static load rating (radial)