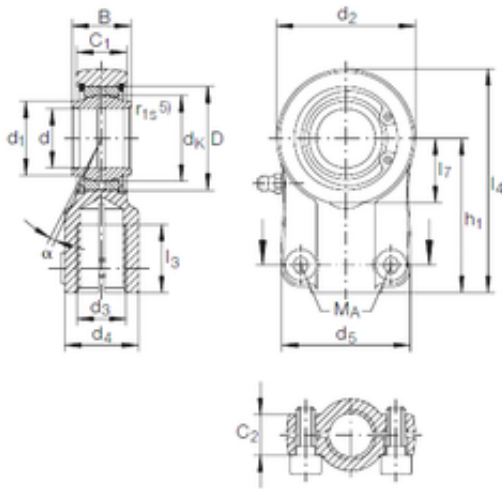


## INA GIHNRK 32 LO plain bearings



Bearing No. GIHNRK 32 LO

|                               |             |
|-------------------------------|-------------|
| Size                          | 32x52x32 mm |
| Bore Diameter                 | 32 mm       |
| Outer Diameter                | 52 mm       |
| Width                         | 32 mm       |
| d                             | 32 mm       |
| D                             | 52 mm       |
| B                             | 32 mm       |
| Screw                         | M10X25      |
| d1                            | 38 mm       |
| d2                            | 70 mm       |
| d4                            | 38 mm       |
| dk                            | 44 mm       |
| h1                            | 80 mm       |
| l3 min.                       | 37 mm       |
| l4 max.                       | 115 mm      |
| l7 min.                       | 32 mm       |
| C1                            | 27 mm       |
| Thread (G)                    | M27X2       |
| Angle                         | 4 °         |
| d5                            | 66 r/min    |
| C2                            | 22 mm       |
| Weight                        | 1,2 Kg      |
| Basic dynamic load rating (C) | 67 kN       |

GIHNRK 32 LO Bearing 2D drawings and 3D CAD models