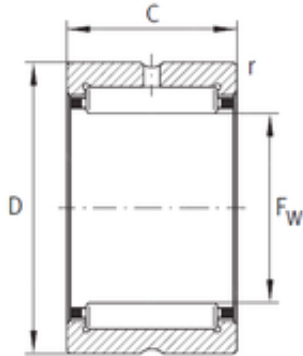


INA NK105/26 needle roller bearings



NK105/26 Bearing 2D drawings and 3D CAD models

Bearing No. NK105/26

Size	105x125x26 mm
Bore Diameter	105 mm
Outer Diameter	125 mm
Width	26 mm
F _w	105 mm
D	125 mm
C	26 mm
r min.	1 mm
Weight	0,54 Kg
Basic dynamic load rating (C)	89 kN
Basic static load rating (C ₀)	155 kN
Fatigue load limit (P _u)	26,5
Reference speed	3 050 r/min
Limiting speed	4 400 r/min
Category	Needle Non Thrust Roller Bearings
Inventory	0.0
Manufacturer Name	SCHAEFFLER GROUP
Minimum Buy Quantity	N/A
Weight / Kilogram	0.647
EAN	4012802058222
Product Group	B04270
Rolling Element	Needle Roller Bearing
Component	Roller Assembly with Outer Ring - No Inner Ring
Enclosure	Open



FKZ BEARING CO

Self Aligning	No
Retainer	Yes
Number of Rows of Rollers	Single Row
Separable	No
Closed End	No
Inch - Metric	Metric
Relubricatable	Yes
Thrust Bearing	No
Long Description	105MM Bore; 125MM Outside Diameter; 26MM Width; Needle Roller Bearing; Roller Assembly with Outer Ring - No Inner Ring; Open Enclosure; No Self Aligning; Retainer; Single Row of Rollers; No Separable;
Other Features	2 Rib Outer Ring Radial Precision Bearing Steel Cage Light Duty Ground Raceway with Rib Oil Hole
Category	Needle Non Thrust Roller Bearing
UNSPSC	31171512
Harmonized Tariff Code	8482.40.00.00
Noun	Bearing
Keyword String	Needle
Manufacturer URL	http://www.ina.com
Manufacturer Item Number	NK105/26
Weight / LBS	1.191
Bore	4.134 Inch 105 Millimeter
Outside Diameter	4.921 Inch 125 Millimeter
Width	1.024 Inch 26 Millimeter