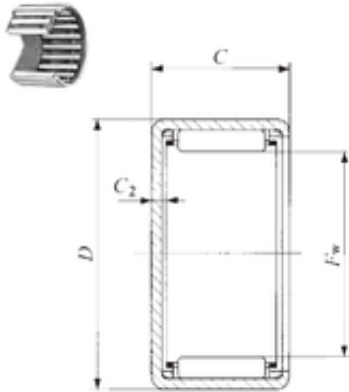


IKO TAMW 6550 needle roller bearings



Bearing No. TAMW 6550

Size	65x77x50 mm
Bore Diameter	65 mm
Outer Diameter	77 mm
Width	50 mm
Fw	65 mm
D	77 mm
C	50 mm
C2	3,4 mm
Weight	0,355 Kg
Basic dynamic load rating (C)	101 kN
Basic static load rating (C0)	246 kN
Category	Bearings
Inventory	0.0
Manufacturer Name	IKO
Minimum Buy Quantity	N/A
Weight / Kilogram	0
Product Group	B04144

TAMW 6550 Bearing 2D drawings and 3D CAD models