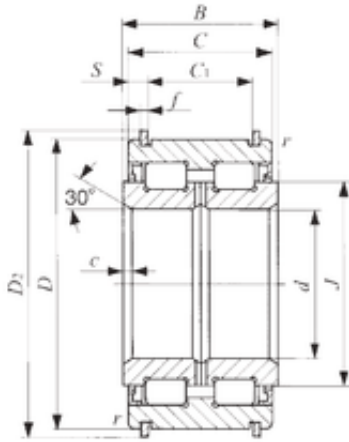


## IKO NAS 5056ZZNR cylindrical roller bearings



Bearing No. NAS 5056ZZNR

Size	280x420x190 mm
Bore Diameter	280 mm
Outer Diameter	420 mm
Width	190 mm
d	280 mm
D	420 mm
B	190 mm
C	189 mm
c	5 mm
f	7 mm
r min.	2 mm
C1	154 mm
D2	440 mm
J	335 mm
S	17,5 mm
Weight	90,9 Kg
Basic dynamic load rating (C)	2210 kN
Basic static load rating (C0)	4860 kN

NAS 5056ZZNR Bearing 2D drawings and 3D CAD models