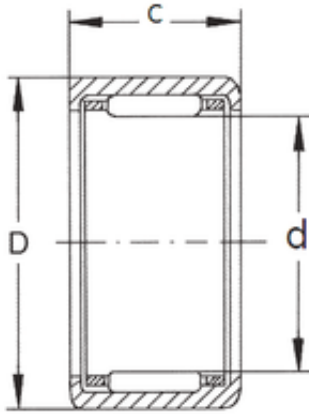


FBJ HK2518 needle roller bearings



Bearing No. HK2518

Size	25x32x18 mm
Bore Diameter	25 mm
Outer Diameter	32 mm
Width	18 mm
d	25 mm
D	32 mm
C	18 mm
Weight	0,0282 Kg
Basic dynamic load rating (C)	17,5 kN
Basic static load rating (C0)	25,8 kN
(Grease) Lubrication Speed	5400 r/min

HK2518 Bearing 2D drawings and 3D CAD models