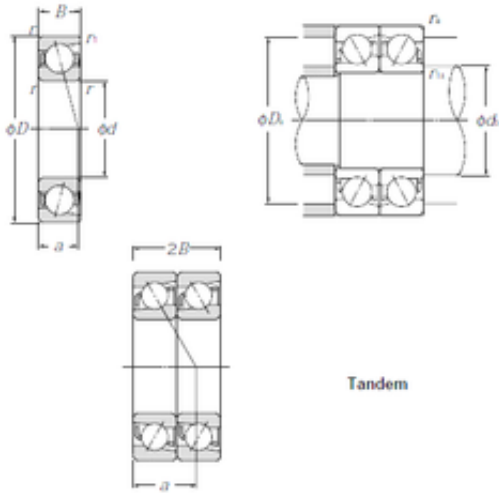


CYSD 7912DT angular contact ball bearings

Bearing No. 7912DT



7912DT Bearing 2D drawings and 3D CAD models

Size	60x85x13 mm
Bore Diameter	60 mm
Outer Diameter	85 mm
Width	13 mm
d	60 mm
D	85 mm
B	13 mm
C	13 mm
Angle (°)	25 °
r min.	1 mm
2B	26 mm
Weight	0,46 Kg
Basic dynamic load rating (C)	29,3 kN
Basic static load rating (C0)	35 kN
(Grease) Lubrication Speed	6200 r/min